



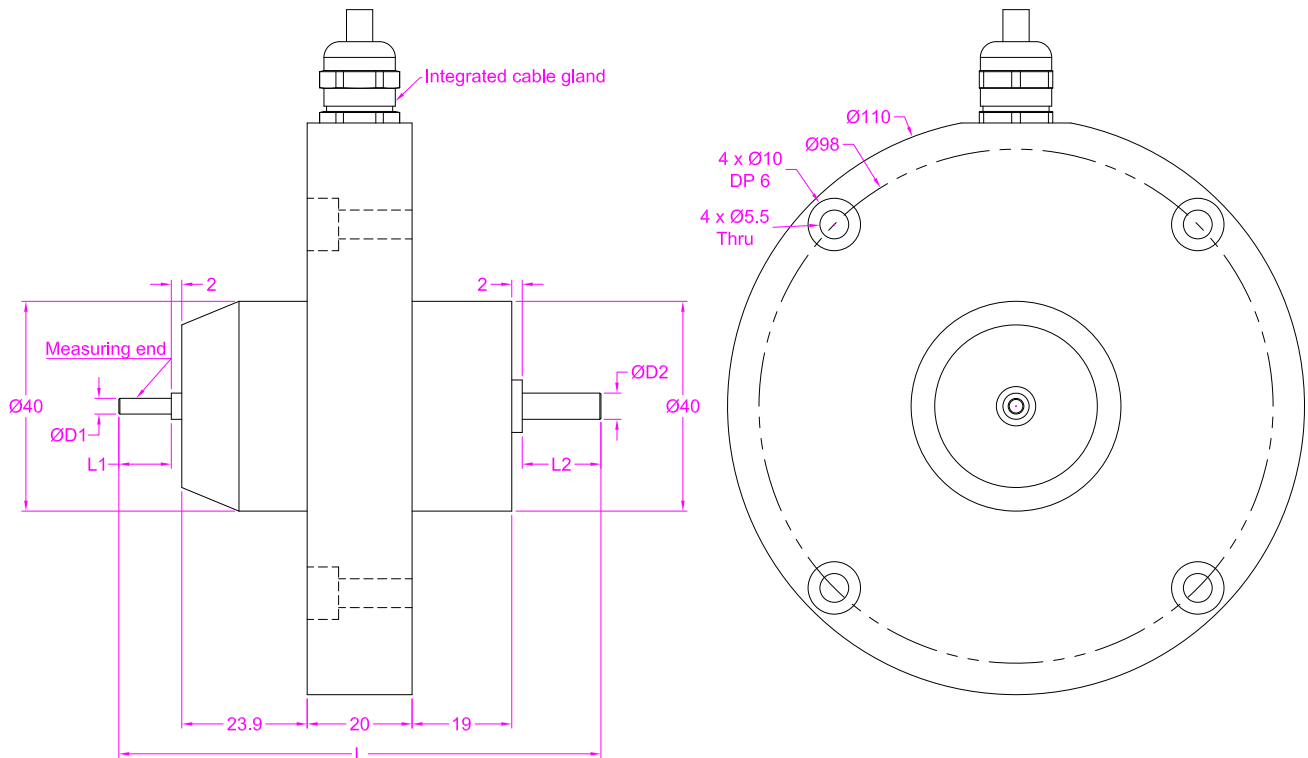
--- Specifications / 规格参数 ---

Capacity/量程	0.01/0.02/0.05/0.1/0.2/0.5/1/2/3 NM
Excitation/激励电压	12~24V DC
Angle Output/角度输出	1024 pulses per revolution
Speed Output/转速输出	Refer to ordering code
Torque Output/扭矩输出	
Sampling Rate/采样频率	200Hz
Nonlinearity/非线性	±0.2% of F.S.
Hysteresis/滞后	±0.2% of F.S.
Nonrepeatability/非重复性	±0.2% of F.S.
Creep/蠕变(5min)	±0.1% of F.S.
Safe Overload/安全过载	150% of F.S.
Ultimate Overload/极限过载	200% of F.S.
Working Temperature/工作温度	-10...+60°C
Temp. Shift Zero/零点温度漂移	±0.03% of R.O./°C
Temp. Shift Span/灵敏度温度漂移	±0.03% of R.O./°C
Ingress Protection/防护等级	IP40
Material of Element/弹性体材质	Titanium alloy/钛合金
Material of Housing/外壳材质	Aluminum alloy/铝合金
Cable/导线	Ø6*3000mm with mating connector Ø6*3000mm 屏蔽线

P-1/3

• Subject to change without notice / 如有更改,不另行通知

Torque & Speed measurement



Torque capacity	Speed range	L	L1	L2	D1	D2
0.1/0.2/0.5 Nm	0~3000RPM	94.9	12	16	5	6
1 Nm	0-8000RPM	96.9	14	16	6	6
2/3 Nm	0-8000RPM	98.9	16	16	8	6

Ordering code

FYTN-0.5 - 2000- B

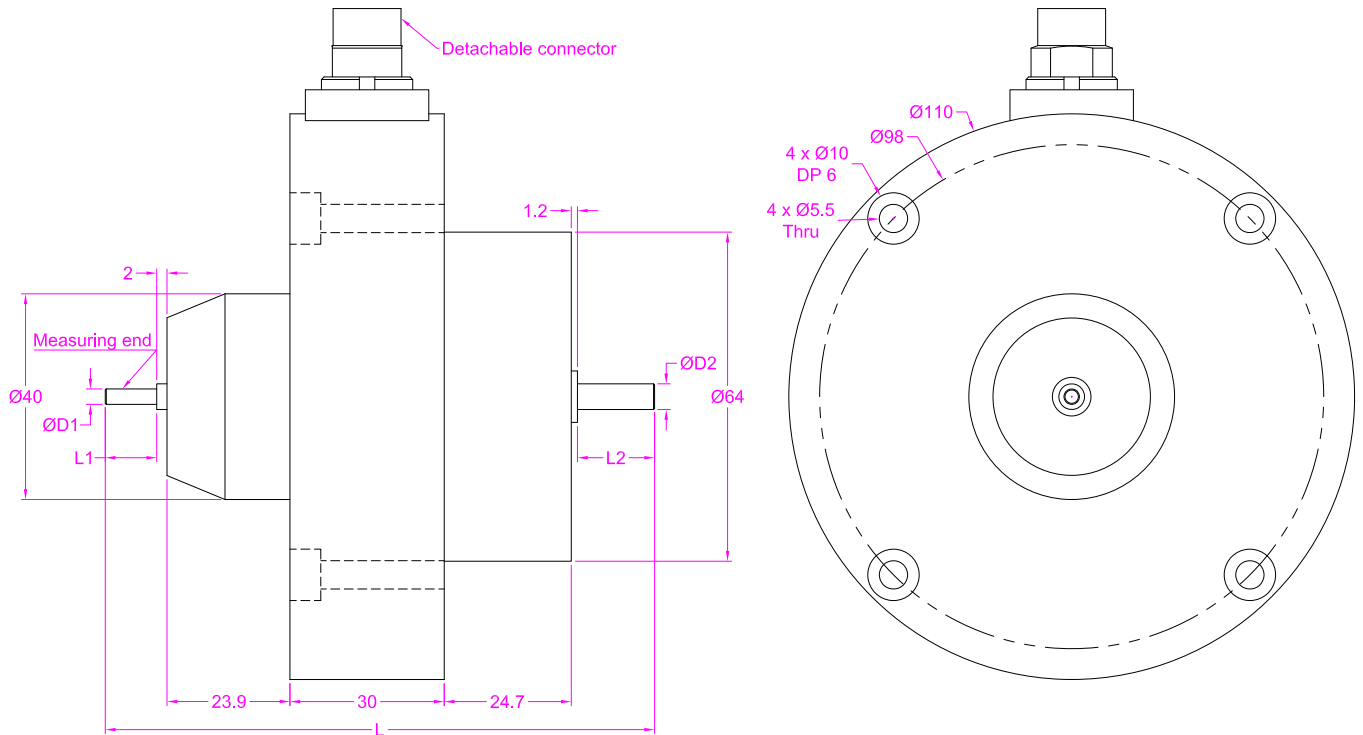
Torque range (Nm) Speed range (RPM)

Code	Excitation	Torque output	Speed output
A	24V DC	-5-5V	0-5V
B		-10-10V	0-10V
C		4-12-20mA	4-20mA
D	12V DC	-5-5V	0-5V
E		4-12-20mA	4-20mA
F		-3.3-3.3V	0-3.3V
G	24V DC	0-1.65-3.3V	0-3.3V
H		0-2.5-5V	0-5V
I		-3.3-3.3V	0-3.3V
J	12V DC	0-1.65-3.3V	0-3.3V
K		0-2.5-5V	0-5V
L		0-5-10V	0-10V

Wiring code

Red	Power+
Black	Power-
Green	Torque output+
Yellow	Speed output+
White	Output-
Bold Yellow	Shield

Torque & Angle measurement



Torque capacity	Speed range	L	L1	L2	D1	D2
0.01/0.02/0.05 Nm	0~30RPM	106.8	10	15	3	5
0.1/0.2/0.5 Nm	0~3000RPM	109.8	12	16	5	6
1 Nm	0-8000RPM	111.8	14	16	6	6
2/3 Nm	0-8000RPM	113.8	16	16	8	6

Ordering code

FYTN - 0.5 - B

Torque range
(NM)

Code	Excitation	Torque output
A	24V DC	-5-5V
B		-10-10V
C		4-12-20mA
D	12V DC	-5-5V
E		4-12-20mA
F		-3.3-3.3V
G	24V DC	0-1.65-3.3V
H		0-2.5-5V
I		-3.3-3.3V
J	12V DC	0-1.65-3.3V
K		0-2.5-5V
L		0-5-10V

Wiring code

Red	Power+
Black	Power-
Green	Torque output+
White	Output-
Yellow	Angle A
Blue	Angle B