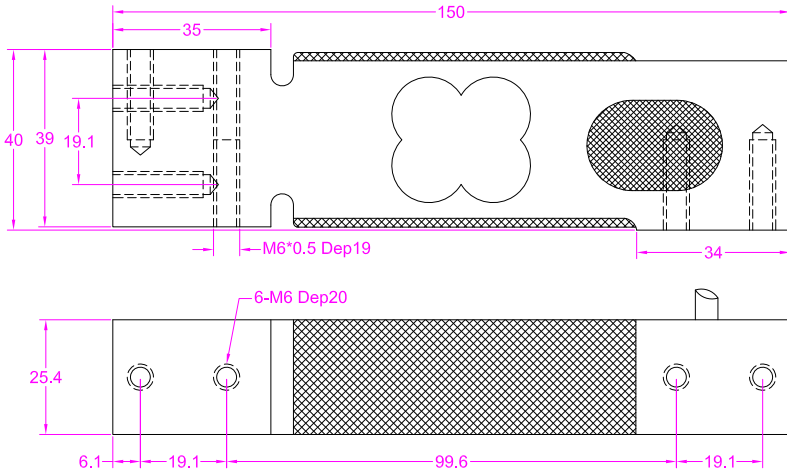
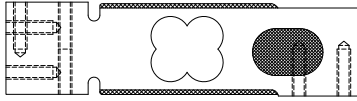
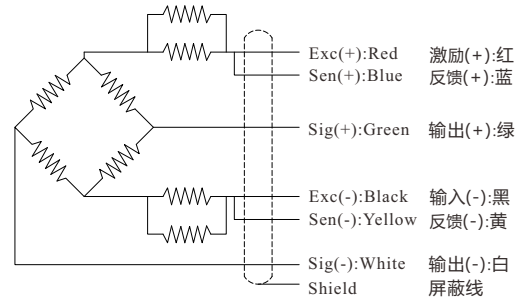


Load direction/加载方向



Wiring Diagram/接线图



--- Specifications / 规格参数 ---

| Capacity/量程 | 5/10/20/30/50/100/200kg | | |
|--|--|-------------------------------|-----------------------|
| Rated Output 额定输出 | 2.0±5% mV/V | Compensated Temp. 温度补偿范围 | -10...+40°C |
| Excitation 激励电压 | 5~15V | Operating Temp. 工作温度范围 | -20...+60°C |
| Zero Balance 零点输出 | ±2% of R.O. | Temp. Shift Zero 零点温度漂移 | ±0.02% of R.O./10°C |
| Nonlinearity 非线性 | ±0.015% of R.O. | Temp. Shift Span 灵敏度温度漂移 | ±0.02% of R.O./10°C |
| Hysteresis 滞后 | ±0.01% of R.O. | Input Resistance 输入阻抗 | 405±10Ω |
| Nonrepeatability 非重复性 | ±0.01% of R.O. | Output Resistance 输出阻抗 | 350±3Ω |
| Creep(30min) 蠕变 | ±0.02% of R.O. | Insulation Resistance 绝缘阻抗 | >5000MΩ(50V) |
| Safe Overload 安全过载 | 150% of F.S. | Ingress Protection 防护等级 | IP65 |
| Ultimate Overload 极限过载 | 200% of F.S. | Material of Element 弹性体材料 | Aluminum alloy 铝合金 |
| Cable 导线 | Ø6*1500mm 6-core shielded cable(Longer cable available) Ø6*1500mm 6芯屏蔽线 | | |
| R.O.=Rated Output/额定输出 F.S.=Full Scale/满量程 | | | |

• Subject to change without notice / 如有更改,不另行通知