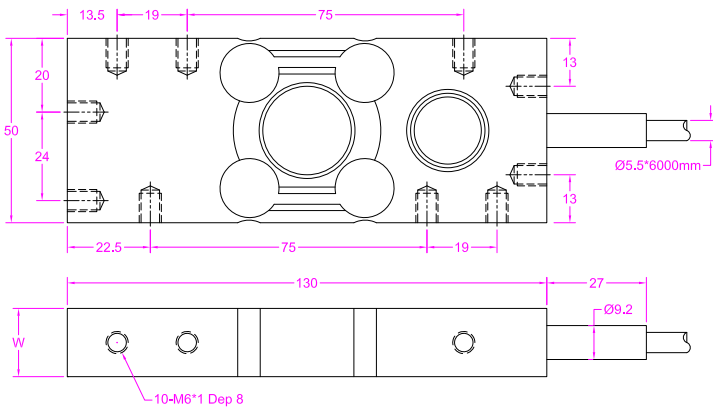
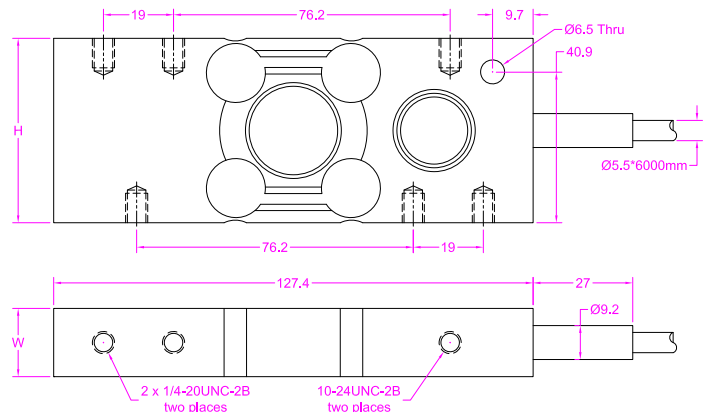




**Ordering code**  
**FHPS - 30kg**  
 Model      Capacity



Capacity	W
6/12/15/30kg	18.5
60kg	23.5



Capacity	H	W
25lb	50	18.5
50lb	49.7	18.5
100lb	46.3	23.9

--- Specifications / 规格参数 ---

Capacity/量程	6/12/15/30/60 kg		
	25/50/100 lb		
Rated Output 额定输出	2.0 mV/V	Compensated Temp. 温度补偿范围	-10...+40°C
Excitation 激励电压	3~15V	Operating Temp. 工作温度范围	-35...+70°C
Zero Balance 零点输出	±0.05mV/V	Temp. Shift Zero 零点温度漂移	±0.018% of R.O./10°C
Nonlinearity 非线性	±0.02% of R.O.	Temp. Shift Span 灵敏度温度漂移	±0.015% of R.O./10°C
Hysteresis 滞后	±0.02% of R.O.	Input Resistance 输入阻抗	400±20Ω
Nonrepeatability 非重复性	±0.015% of R.O.	Output Resistance 输出阻抗	352±5Ω
Creep(30min) 蠕变(30min)	±0.02% of R.O.	Insulation Resistance 绝缘阻抗	>5000MΩ(50V)
Safe Overload 安全过载	150% of F.S.	Ingress Protection 防护等级	IP68
Ultimate Overload 极限过载	250% of F.S.	Material of Element 弹性体材料	Stainless steel 不锈钢
Cable 导线	Ø5.5*6000mm 6-core shielded cable Ø5.5*6000mm 6芯屏蔽线		
R.O.=Rated Output/额定输出    F.S.=Full Scale/满量程			

• Subject to change without notice / 如有更改,不另行通知