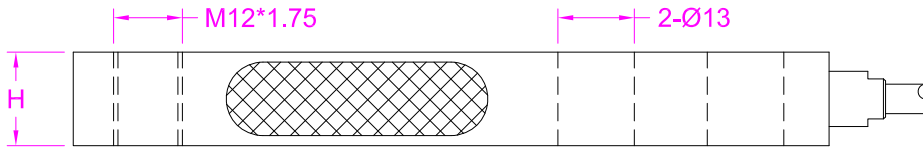
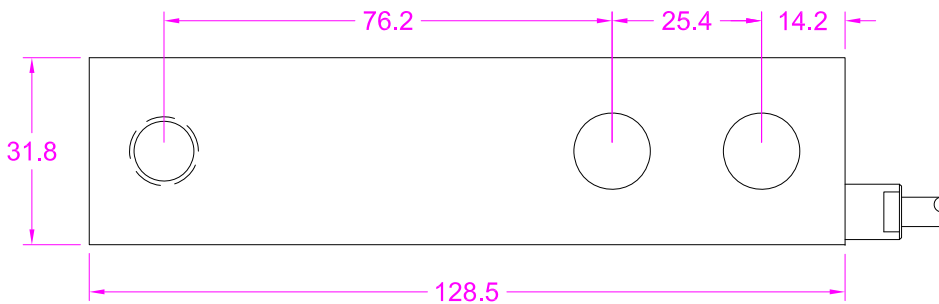


Ordering code
FHSD - A - 1000kg

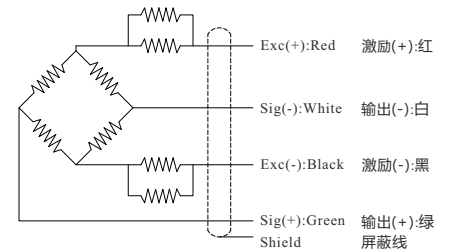
Model A: Alloy steel Capacity
 S: Stainless steel



Capacity	200kg	500kg	1000kg	2000kg
H	12.7	15.9	19.1	25.4



Wiring Diagram/接线图



--- Specifications / 规格参数 ---

Capacity/额定量程	200/ 500/ 1000/ 2000kg		
Rated Output 额定输出	2.0±0.005 mV/V	Compensated Temp. 温度补偿范围	-10...+40°C
Excitation 激励电压	3~15V	Operating Temp. 工作温度范围	-35...+70°C
Zero Balance 零点输出	±0.03mV/V	Temp. Shift Zero 零点温度漂移	±0.016% of R.O./10°C
Nonlinearity 非线性	±0.017% of R.O.	Temp. Shift Span 灵敏度温度漂移	±0.012% of R.O./10°C
Hysteresis 滞后	±0.017% of R.O.	Input Resistance 输入阻抗	1100±20Ω
Nonrepeatability 非重复性	±0.017% of R.O.	Output Resistance 输出阻抗	1000±5Ω
Creep(30min) 蠕变(30min)	±0.017% of R.O.	Insulation Resistance 绝缘阻抗	>5000MΩ(50V)
Safe Overload 安全过载	150% of F.S.	Ingress Protection 防护等级	IP67
Ultimate Overload 极限过载	250% of F.S.	Material of Element 弹性体材料	FHSD-A: Alloy steel FHSD-S: Stainless steel
Cable 导线	Ø5*3000mm 4-core shielded cable Ø5*3000mm 4芯屏蔽线		
R.O.=Rated Output/额定输出 F.S.=Full Scale/满量程			

• Subject to change without notice / 如有更改,不另行通知