

Torque Measurement Only

Ordering code

FYTE-50-A

Torque range (NM)

Code	Excitation	Torque output
A	24V DC	-5-5V
B		-10-10V
C		4-12-20mA
D	12V DC	-5-5V
E		4-12-20mA
F		-3.3-3.3V
G	24V DC	0-1.65-3.3V
H		0-2.5-5V
I		-3.3-3.3V
J	24V DC	0-1.65-3.3V
K		0-2.5-5V
L		0-5-10V

Consult us for other configurations

Torque & Speed Measurement

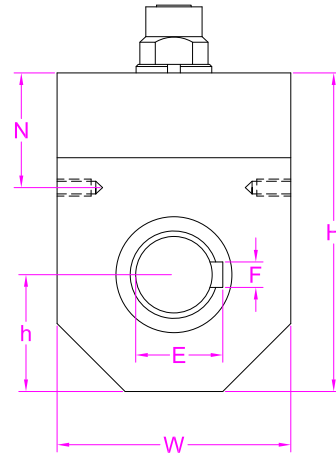
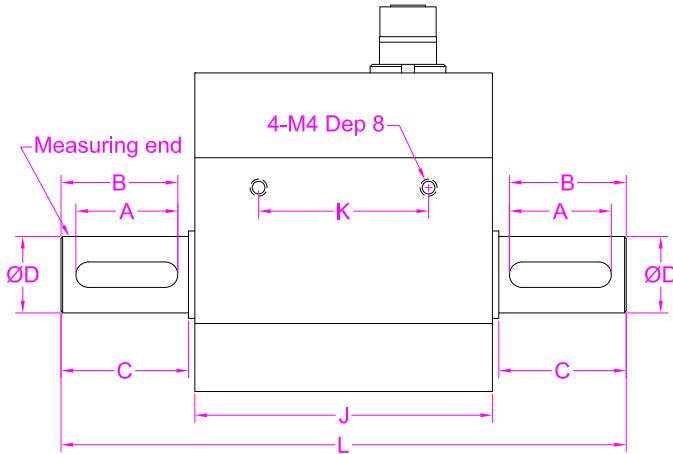
Ordering code

FYTE-50-5000-A

Torque range (NM)
Rotating speed (Up to 8000RPM)

Code	Excitation	Torque output	Speed output
A	24V DC	-5-5V	0-5V
B		-10-10V	0-10V
C		4-12-20mA	4-20mA
D	12V DC	-5-5V	0-5V
E		4-12-20mA	4-20mA
F		-3.3-3.3V	0-3.3V
G	24V DC	0-1.65-3.3V	0-3.3V
H		0-2.5-5V	0-5V
I		-3.3-3.3V	0-3.3V
J	24V DC	0-1.65-3.3V	0-3.3V
K		0-2.5-5V	0-5V
L		0-5-10V	0-10V

Consult us for other configurations



Capacity(NM)	Recommended speed	L	H	W	A	B	C	D	E	F	J	h	K	N
5/10/20/30/50/100	0~8000RPM	133	75	55	24	27.5	30	18	20.5	6	70	27.5	40	27
200/300/500	0~6000RPM	144	85	65	30	33	35	28	31	8	70	32.5	46	28

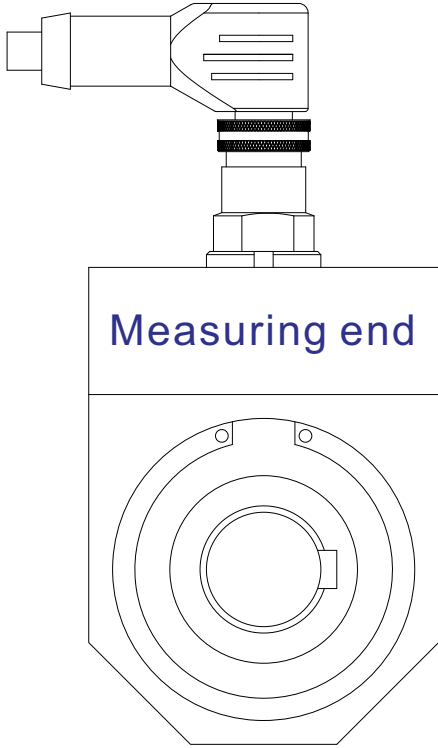
--- Specifications / 规格参数 ---

Capacity/量程	5/10/20/30/50/100/ 200/300/500 NM
Excitation/激励电压	Refer to ordering code
Rated Output/额定输出	
Sampling Rate/推荐采样频率	<200Hz
Nonlinearity/非线性	±0.2% of F.S.
Hysteresis/滞后	±0.2% of F.S.
Nonrepeatability/非重复性	±0.2% of F.S.
Creep/蠕变(10min)	±0.1% of F.S.
Safe Overload/安全过载	150% of F.S.
Ultimate Overload/极限过载	200% of F.S.
Working Temperature/工作温度	-10...+60°C
Ingress Protection/防护等级	IP40
Material of Element/弹性体材质	Stainless steel/不锈钢
Material of Housing/外壳材质	Aluminum alloy/铝合金
Cable/导线	Ø6*3000mm with mating connector Ø6*3000mm 屏蔽线

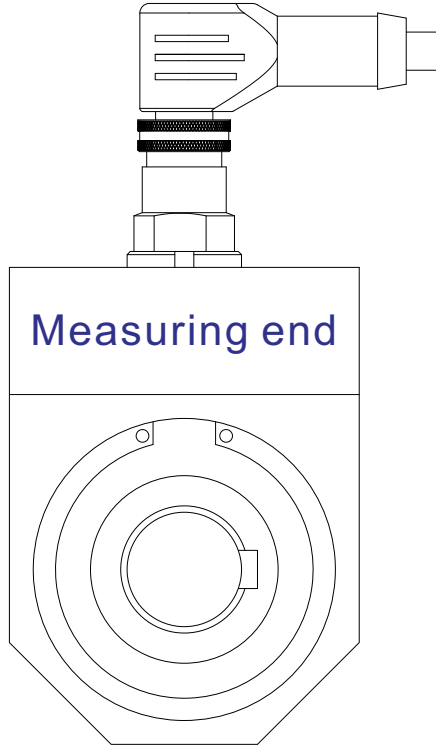


Ordering code of the cable

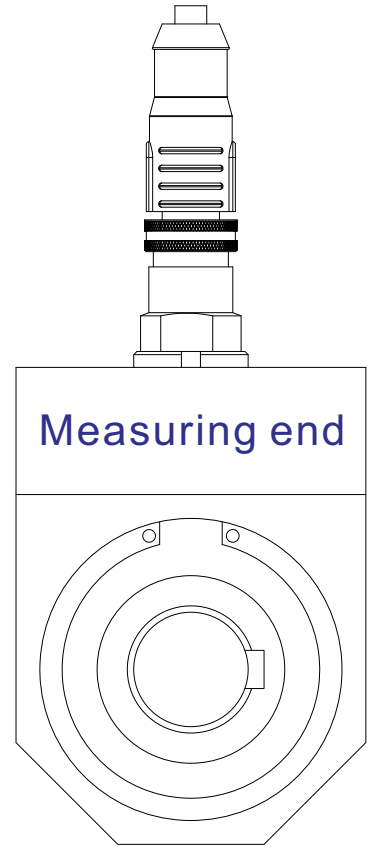
FYTE-8P-3M-L



FYTE-8P-3M-R



FYTE-8P-3M



FYTE-8P-3M-L
FYTE-8P-3M-R



FYTE-8P-3M

