

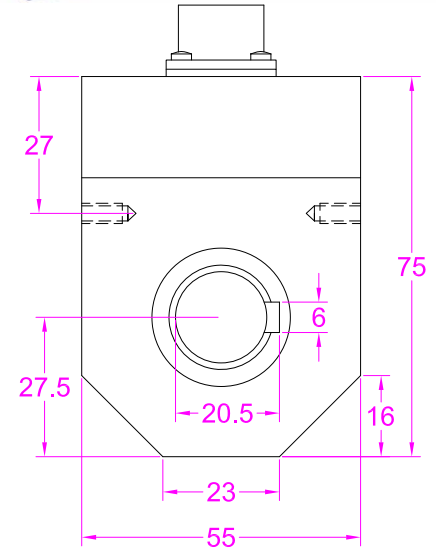
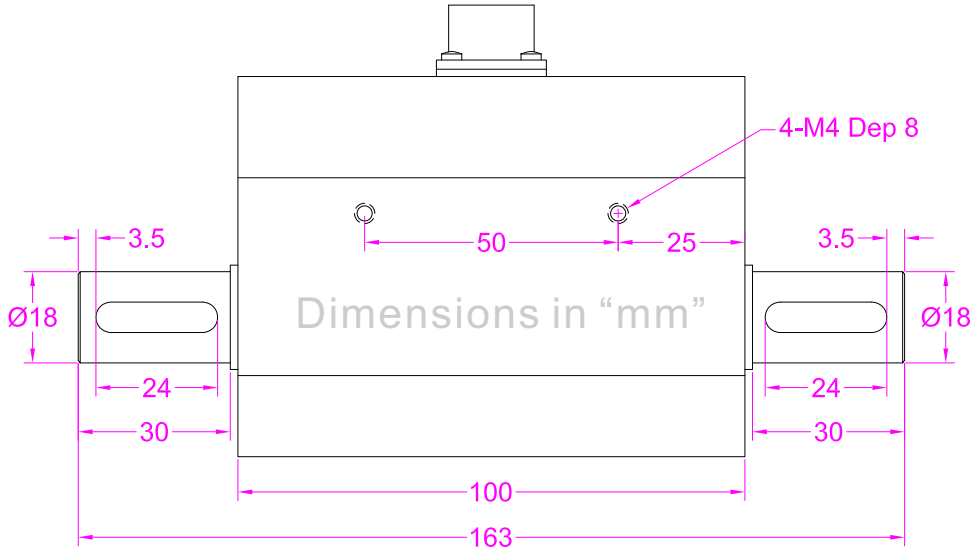
Ordering code

FYTD-50-5000-A

Torque range (NM)
Rotating speed (RPM, up to 6000RPM)

Code	Excitation	Torque output	Speed output
A	24V DC	-5-5V	0-5V
B		-10-10V	0-10V
C		4-12-20mA	4-20mA
D	12V DC	-5-5V	0-5V
E		4-12-20mA	4-20mA

Consult us for other configurations.



--- Specifications / 规格参数 ---

Capacity/量程	5/10/20/30/50/100 NM
Excitation/激励电压	Refer to ordering code
Rated Output/额定输出	
Sampling Rate/推荐采样频率	<200Hz
Nonlinearity/非线性	±0.2% of F.S.
Hysteresis/滞后	±0.2% of F.S.
Nonrepeatability/非重复性	±0.2% of F.S.
Creep/蠕变(10min)	±0.1% of F.S.
Safe Overload/安全过载	150% of F.S.
Ultimate Overload/极限过载	200% of F.S.
Working Temperature/工作温度	-10...+60°C
Ingress Protection/防护等级	IP50
Material of Element/弹性体材质	Stainless steel/不锈钢
Material of Housing/外壳材质	Aluminum alloy/铝合金
Cable/导线	Ø6*3000mm with mating connector Ø6*3000mm 屏蔽线

Wiring code

Red	Power+
Black	Power-
Green	Torque Output+
Yellow	Speed Output+
White	Output-
Bold Yellow	Shield



3m cable with mating connector included

• Subject to change without notice / 如有更改,不另行通知