

Torque Measurement Only

Code	Excitation	Torque output
A	24V DC	-5-5V
B		-10-10V
C		4-12-20mA
D		-5-5V
E	12V DC	4-12-20mA
F		-3.3-3.3V
G		0-1.65-3.3V
H		0-2.5-5V
I	24V DC	-3.3-3.3V
J		0-1.65-3.3V
K		0-2.5-5V
L		0-5-10V

Consult us for other configurations

Ordering code

FYTK- 2 - A

Torque range (NM)

Torque & Speed Measurement

Code	Excitation	Torque output	Speed output
A	24V DC	-5-5V	0-5V
B		-10-10V	0-10V
C		4-12-20mA	4-20mA
D		-5-5V	0-5V
E	12V DC	4-12-20mA	4-20mA
F		-3.3-3.3V	0-3.3V
G		0-1.65-3.3V	0-3.3V
H		0-2.5-5V	0-5V
I	24V DC	-3.3-3.3V	0-3.3V
J		0-1.65-3.3V	0-3.3V
K		0-2.5-5V	0-5V
L		0-5-10V	0-10V

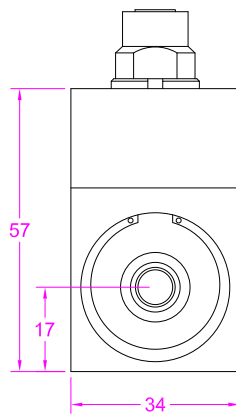
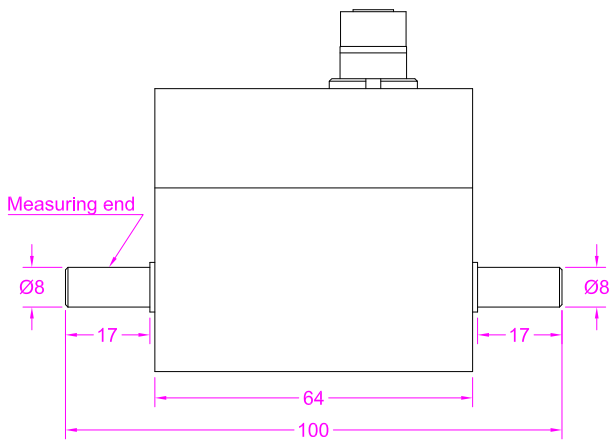
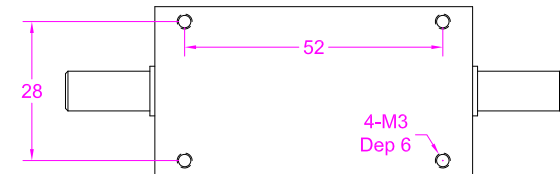
Consult us for other configurations

Ordering code

FYTK- 2 - 5000-A

Torque range (NM)

Rotating speed (Up to 8000RPM)



--- Specifications / 规格参数 ---

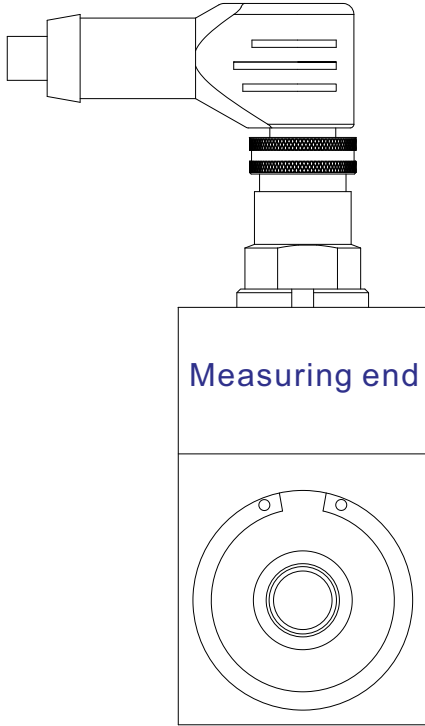
Capacity/量程	0.1/0.2/0.5/1/2/3/5 NM
Max Rotating Speed/最高转速	8000RPM
Excitation/激励电压	Refer to ordering code
Rated Output/额定输出	
Sampling Rate/推荐采样频率	<200Hz
Nonlinearity/非线性	±0.2% of F.S.
Hysteresis/滞后	±0.2% of F.S.
Nonrepeatability/非重复性	±0.2% of F.S.
Creep/蠕变(5min)	±0.1% of F.S.
Safe Overload/安全过载	150% of F.S.
Ultimate Overload/极限过载	200% of F.S.
Working Temperature/工作温度	-10...+60°C
Ingress Protection/防护等级	IP40
Material of Element/弹性体材质	Stainless steel/不锈钢
Material of Housing/外壳材质	Aluminum alloy/铝合金
Cable/导线	Ø6*3000mm with mating connector Ø6*3000mm 屏蔽线

• Subject to change without notice / 如有更改,不另行通知

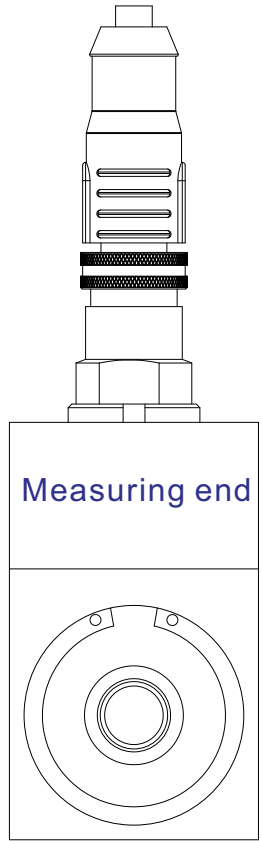
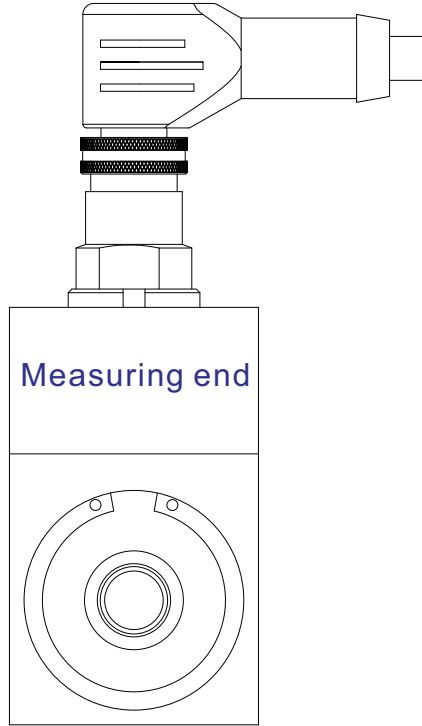
Ordering code of the cable

FYTK-8P-3M

FYTK-8P-3M-L



FYTK-8P-3M-R



FYTK-8P-3M-L
FYTK-8P-3M-R



FYTK-8P-3M

