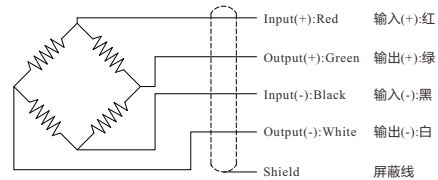


Ordering code

**FTHC - 5NM**

Model Capacity

Wiring Diagram/接线图



P-1/5

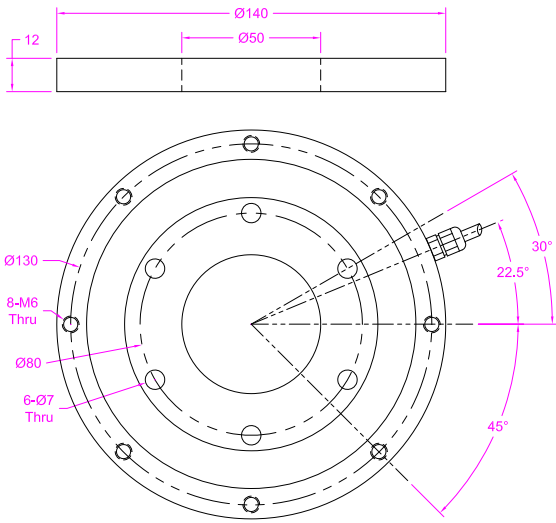
--- Specifications / 规格参数 ---

Capacity/量程	5/10/20/30/40 NM		
Rated Output 额定输出	1.0 mV/V	Compensated Temp. 温度补偿范围	-10...+40°C
Excitation 激励电压	3~12V	Operating Temp. 工作温度范围	-20...+60°C
Zero Balance 零点输出	±0.05mV/V	Temp. Shift Zero 零点温度漂移	±0.02% of R.O./°C
Nonlinearity 非线性	±0.3% of R.O.	Temp. Shift Span 灵敏度温度漂移	±0.02% of R.O./°C
Hysteresis 滞后	±0.3% of R.O.	Input Resistance 输入阻抗	380±30 Ω
Nonrepeatability 非重复性	±0.1% of R.O.	Output Resistance 输出阻抗	350±10 Ω
Creep(10min) 蠕变(10min)	±0.1% of R.O.	Insulation Resistance 绝缘阻抗	>2000MΩ(50V)
Safe Overload 安全过载	150% of F.S.	Ingress Protection 防护等级	IP50
Ultimate Overload 极限过载	200% of F.S.	Material of Element 弹性体材料	Stainless steel 不锈钢
Cable 导线	Ø3*3000mm 4-core shielded cable Ø3*3000mm 4芯屏蔽线		
R.O.=Rated Output/额定输出 F.S.=Full Scale/满量程			

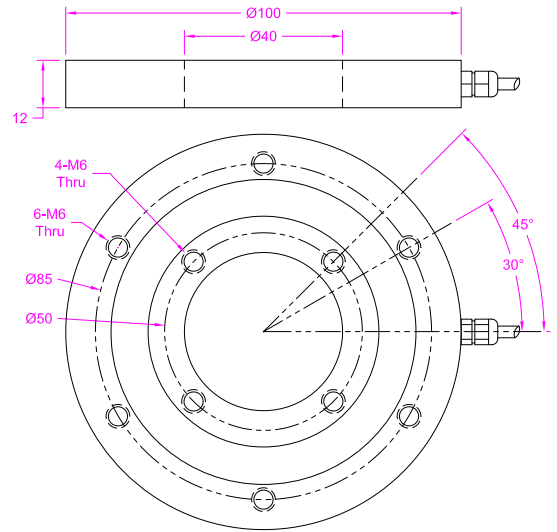
• Subject to change without notice / 如有更改,不另行通知

Other models available

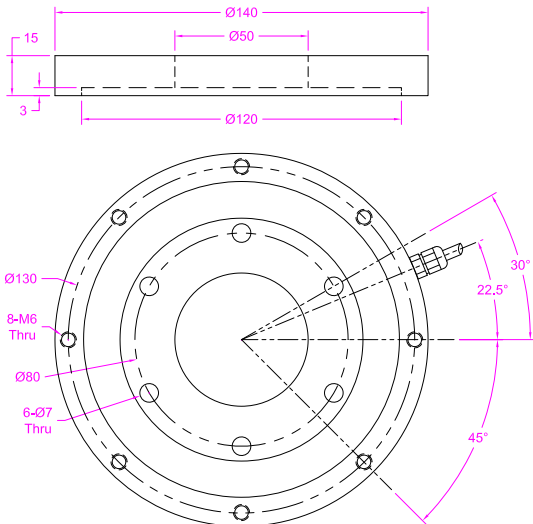
Model:THA  
 Capacity:2/5/10NM



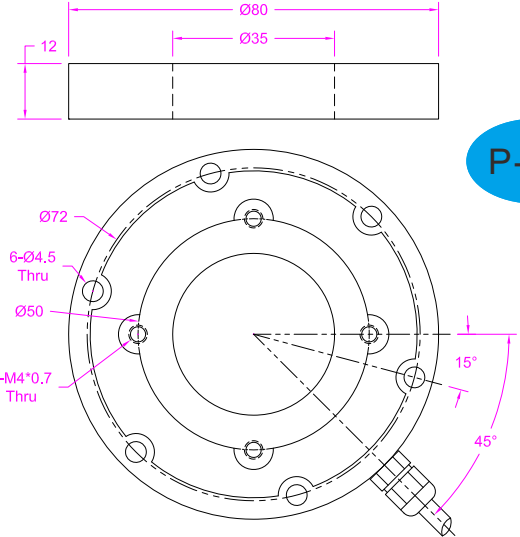
Model:THB  
 Capacity:5/10NM



Model:THC  
 Capacity:2/5/10NM

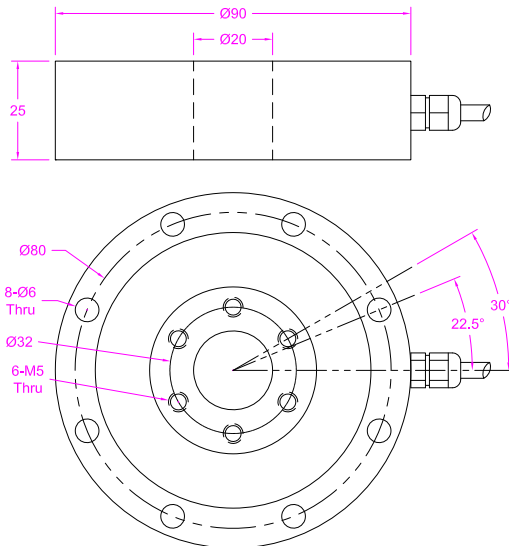


Model:THD  
 Capacity:10NM

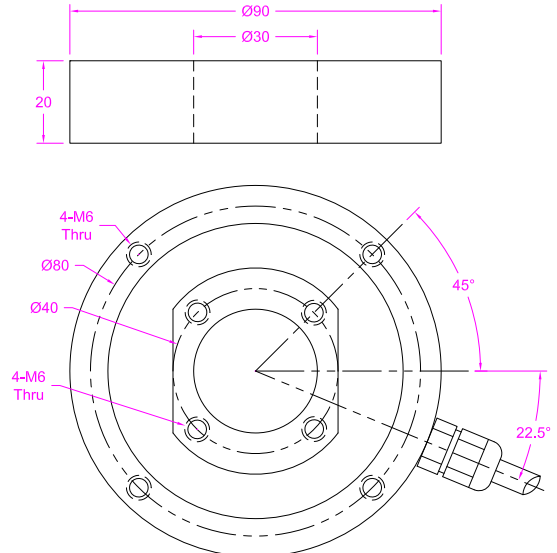


P-2/5

Model:THE  
 Capacity:10/20/30/40/50NM

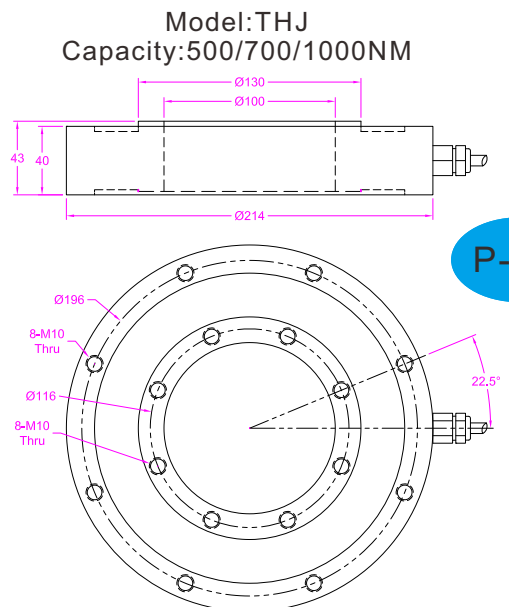
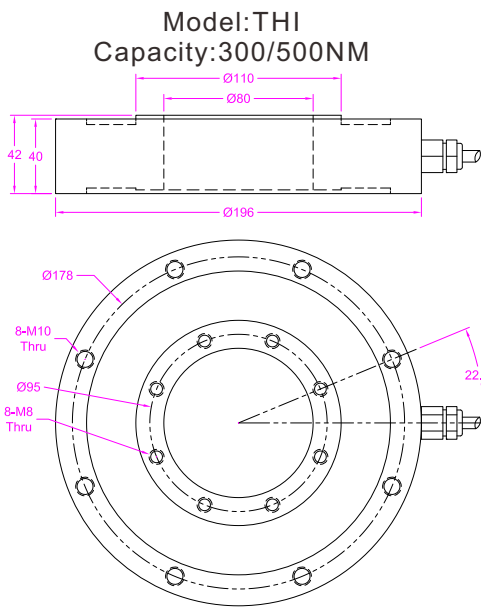
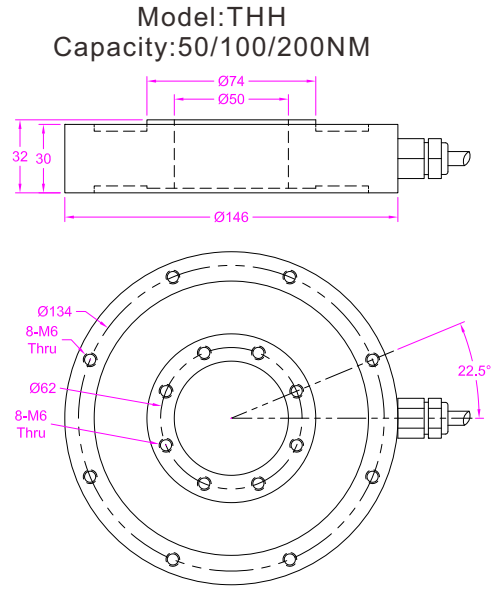
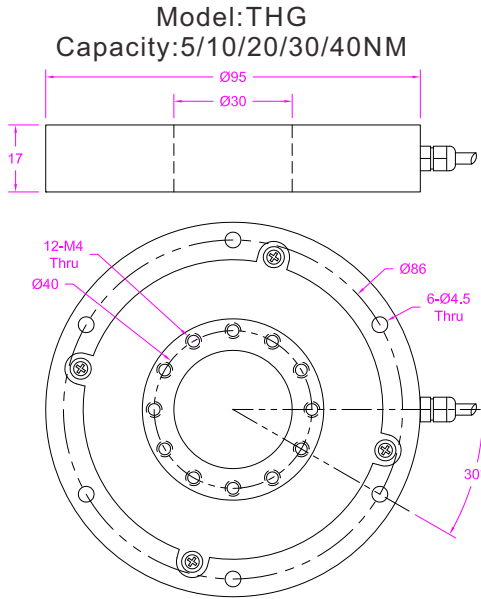


Model:THF  
 Capacity:10/20/30/50NM

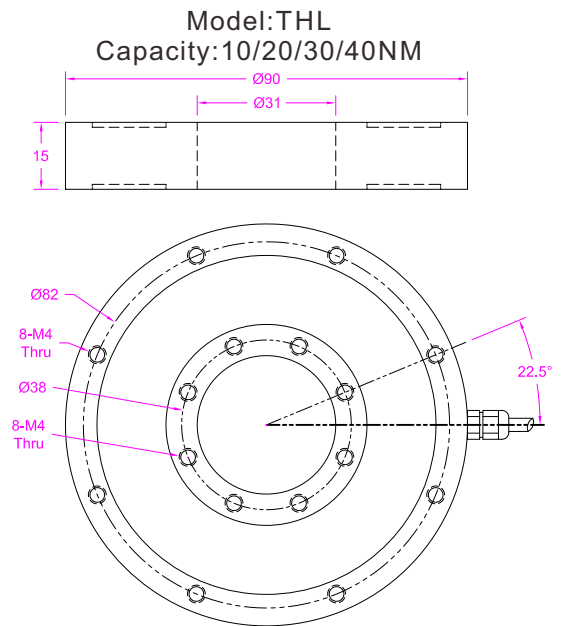
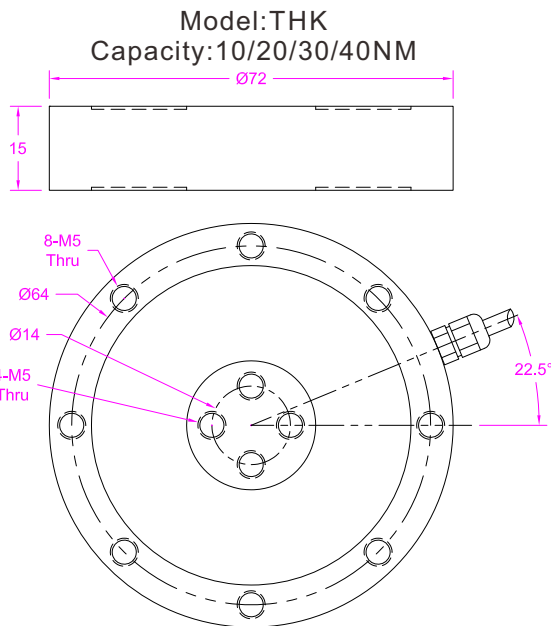


• Consult us for other capacities or dimensions

Other models available

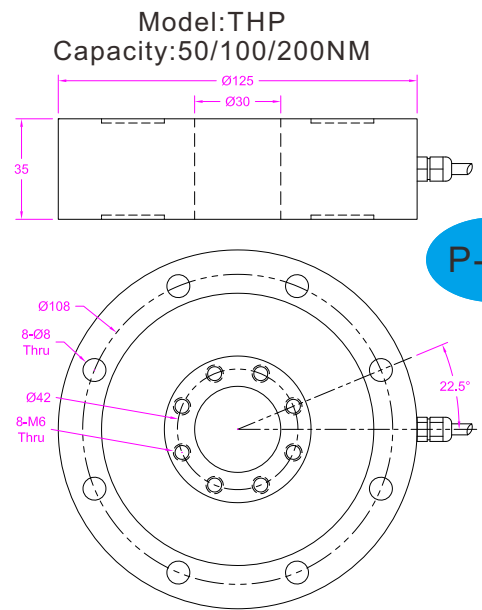
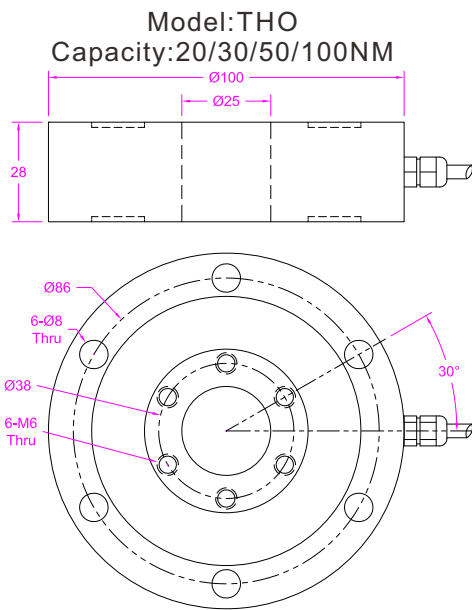
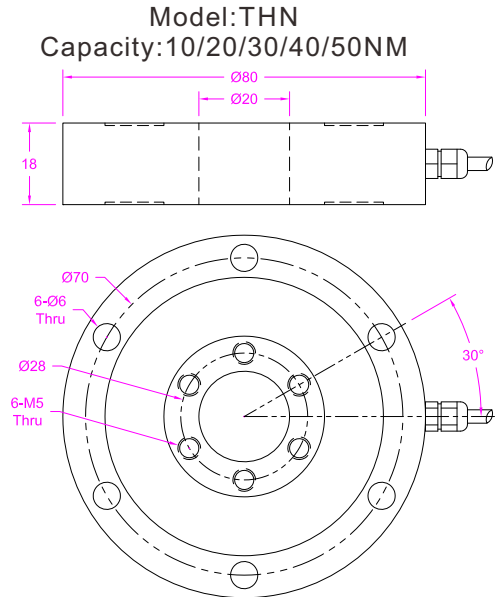
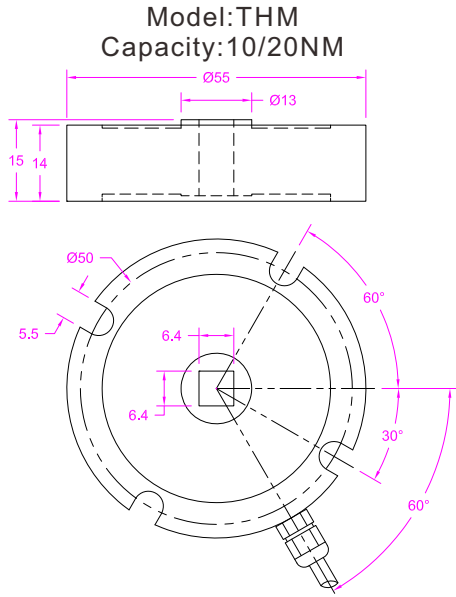


P-3/5



• Consult us for other capacities or dimensions

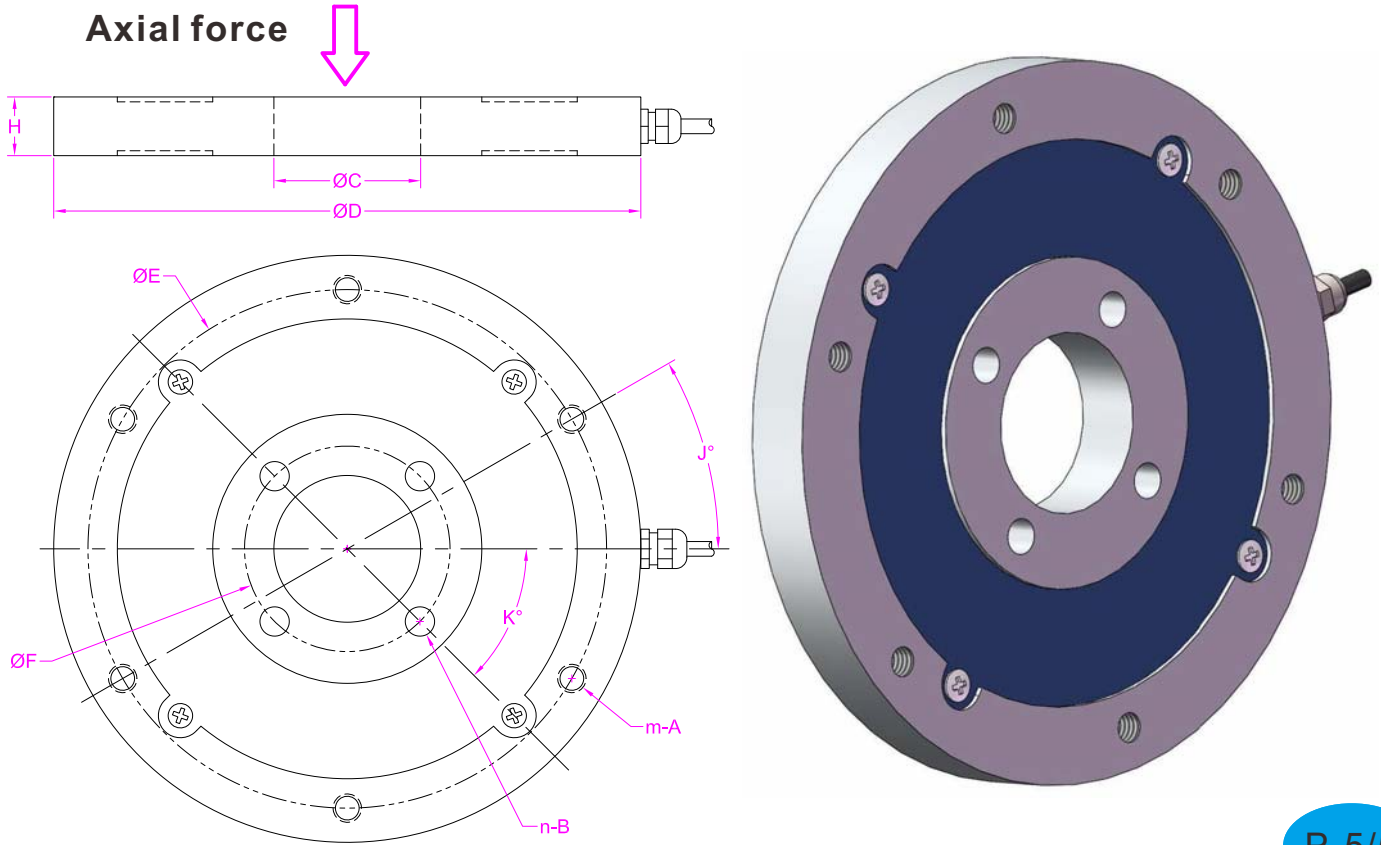
Other models available



P-4/5

• Consult us for other capacities or dimensions

# Customize torque sensor



P-5/5

## --- Main parameters ---

Torque range(NM)		Axial force(N)	
Qty of samples		Potential annual Qty	
A		m	
B		n	
C		D	
E		F	
H		J	
K		/	/
Other requirements			

- Dimensions in "milimeter".
- The Axial force may influence the design.
- A and B can be thru hole or threaded hole.
- m and n refers to the number of A and B.
- Please fill in the blank columns with a specific value or acceptable range.
- Customize upon given drawings is also available.