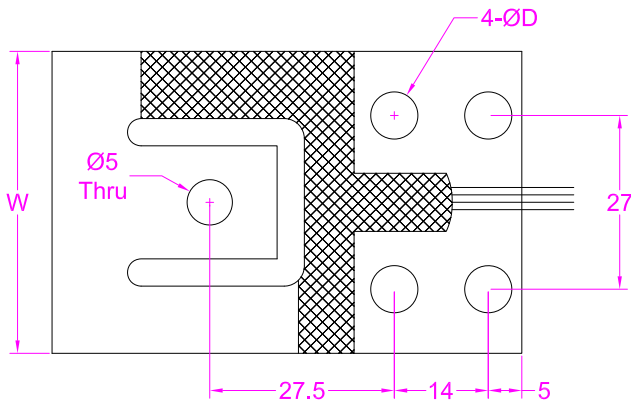
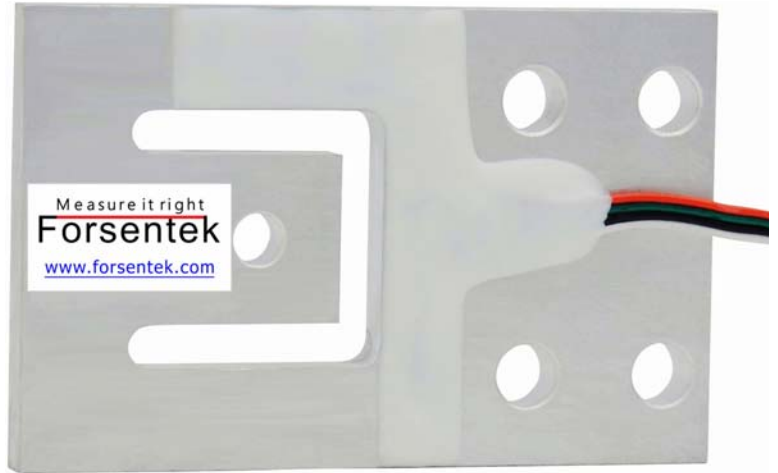
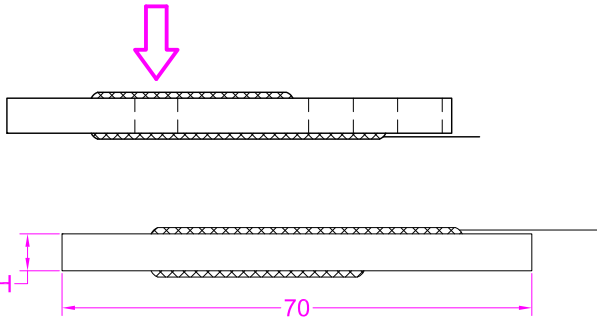




Load direction/加载方向



Capacity	H	W	D	Rated output
30kg	3.5	39	5.1	1.5mV/V
75kg	4.52	45	6.1	
150kg	5.5	45	6.1	2.0mV/V
300kg	7.75	45	6.1	

--- Specifications / 规格参数 ---

Capacity 额定量程	30/75/150/300 kg		
Excitation 激励电压	3~10V	Operating Temp. 工作温度范围	-10...+40°C
Zero Balance 零点输出	±0.1mV/V	Temp. Shift Zero 零点温度漂移	±0.2% of R.O./°C
Nonlinearity 非线性	±0.05% of R.O.	Temp. Shift Span 灵敏度温度漂移	±0.05% of R.O./10°C
Hysteresis 滞后	±0.05% of R.O.	Input Resistance 输入阻抗	1120±50Ω
Nonrepeatability 非重复性	±0.05% of R.O.	Output Resistance 输出阻抗	1000±10Ω
Creep(3min) 蠕变	±0.05% of R.O.	Insulation Resistance 绝缘阻抗	>2000MΩ(50V)
Safe Overload 安全过载	150% of F.S.	Ingress Protection 防护等级	IP65
Ultimate Overload 极限过载	200% of F.S.	Material of Element 弹性体材料	Aluminum alloy 铝合金
Cable 导线	30kg/75kg — 32AWG*400mm 4-wire 150kg/300kg — 32AWG*150mm 4-wire		
R.O.=Rated Output/额定输出 F.S.=Full Scale/满量程			

• Subject to change without notice / 如有更改,不另行通知