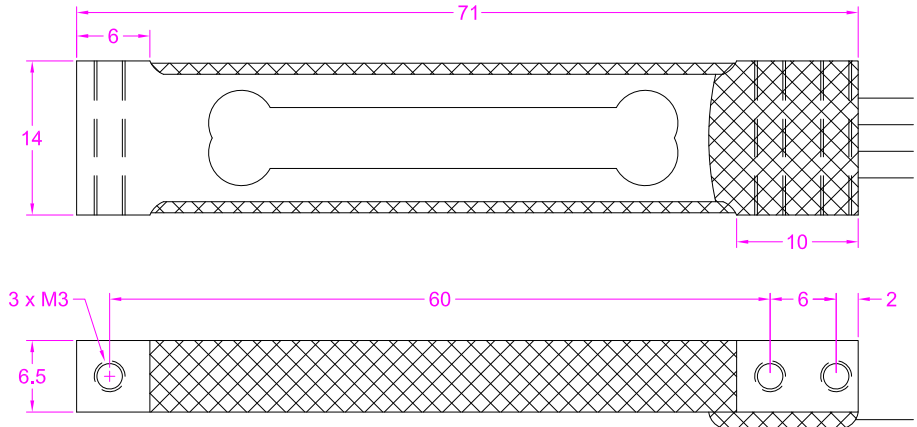
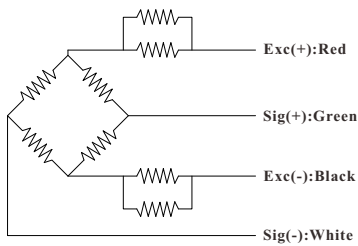




**Ordering code**  
**FMH - 100g**  
 Model Capacity

**Wiring Diagram**



--- Specifications / 规格参数 ---

Capacity/量程	100/200/300/500 g		
Rated Output 额定输出	0.75±0.15 mV/V	Compensated Temp. 温度补偿范围	0...+40°C
Excitation 激励电压	3~6V	Operating Temp. 工作温度范围	-10...+60°C
Zero Balance 零点输出	±0.1mV/V	Temp. Shift Zero 零点温度漂移	±0.05% of R.O./10°C
Nonlinearity 非线性	±0.03% of R.O.	Temp. Shift Span 灵敏度温度漂移	±0.03% of R.O./10°C
Hysteresis 滞后	±0.03% of R.O.	Input Resistance 输入阻抗	405±50Ω
Nonrepeatability 非重复性	±0.02% of R.O.	Output Resistance 输出阻抗	352±5Ω
Creep(2min) 蠕变(2min)	±0.03% of R.O.	Insulation Resistance 绝缘阻抗	>2000MΩ(50V)
Safe Overload 安全过载	150% of F.S.	Ingress Protection 防护等级	IP50
Ultimate Overload 极限过载	180% of F.S.	Material of Element 弹性体材料	Aluminum alloy 铝合金
Cable 导线	AWG32*180mm(Longer cable available)		
R.O.=Rated Output/额定输出 F.S.=Full Scale/满量程			

• Subject to change without notice / 如有更改,不另行通知