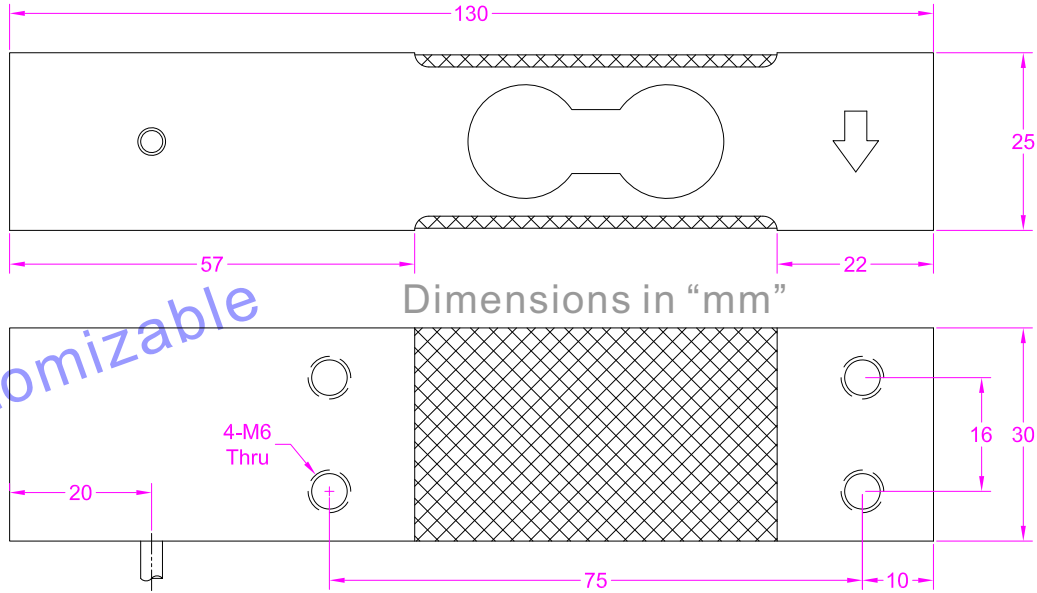
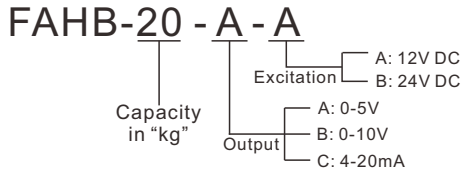


Ordering example



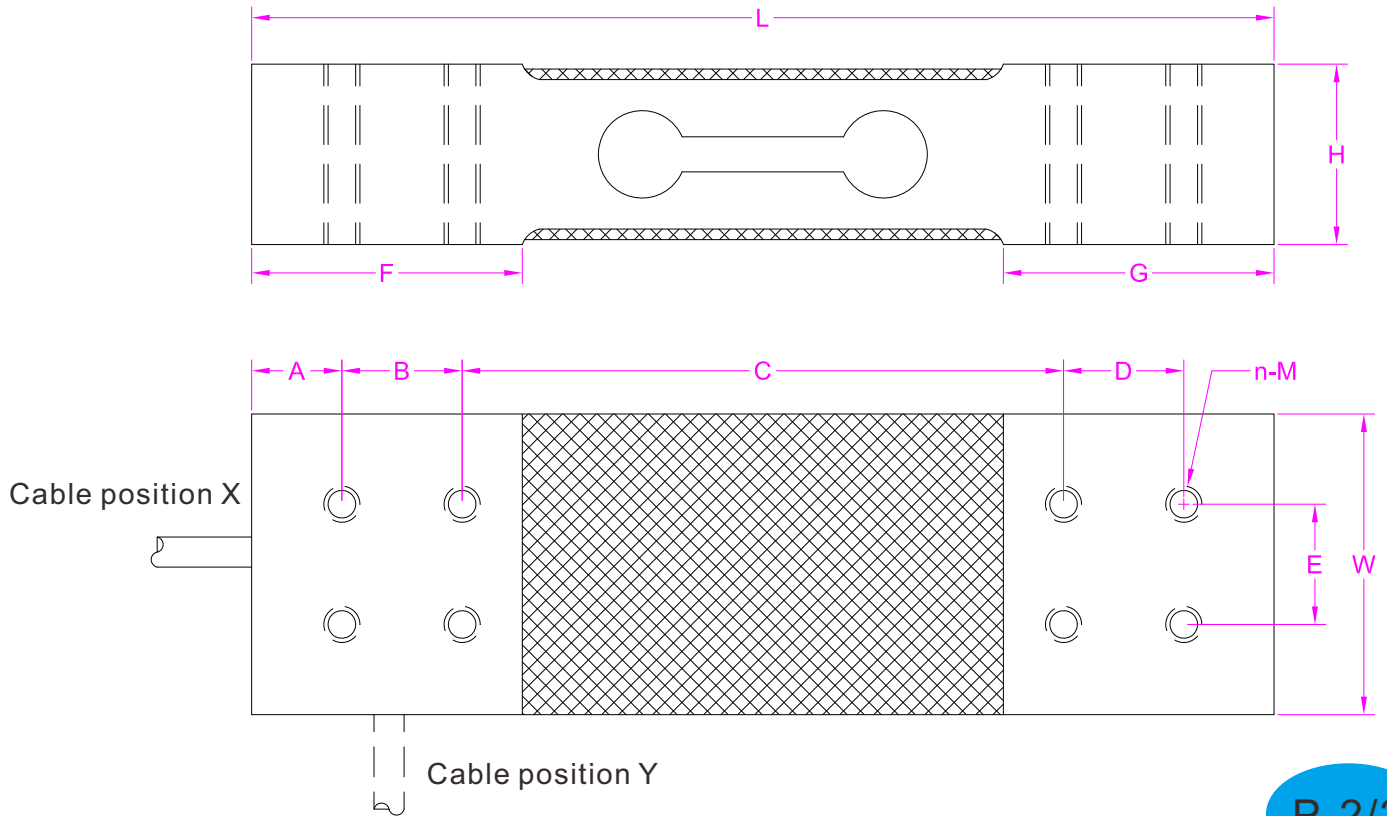
P-1/2

--- Specifications / 规格参数 ---

Capacity/量程	5/10/20/30/40 kg	
Rated output/额定输出	0-5V/0-10V(3-wire)	0-5V/0-10V(3-wire) 4-20mA(2-wire)
Excitation/激励电压	12V DC	24V DC
Zero Drift/零点偏移	±5% of F.S.	
Nonlinearity/非线性	±0.2% of R.O.	
Hysteresis/滞后	±0.2% of R.O.	
Non-repeatability/非重复性	±0.1% of R.O.	
Creep(3min)/蠕变(3min)	±0.05% of R.O.	
Safe Overload/安全过载	120% of F.S.	
Ultimate Overload/极限过载	200% of F.S.	
Working Temp./工作温度	-10...+45°C	
Temp. Shift on Zero/零点温度漂移	±0.03% of R.O./°C	
Temp. Shift on Rated output/额定输出温度漂移	±0.02% of R.O./°C	
Insulation Resistance/绝缘阻抗	>2000MΩ(50V)	
Ingress Protection/防护等级	IP62	
Material/弹性体材质	Aluminum alloy/铝合金	
Cable/导线	Ø4*1000mm shielded cable (Longer cable available upon request)	

• Subject to change without notice / 如有更改,不另行通知

Custom load cell with built-in amplifier



P-2/2

Capacity		Platform size (mm*mm)	
Sample Qty		Annual Qty	
Power supply		Output signal	
Cable position (X or Y)		Cable length	
L		W	
H		A	
B		C	
D		E	
F		G	
n		M	
Other requirements			

- For dimensions that don't matter, please fill in "Given by design" or acceptable range like "25~40mm".
- Drawings provided by clients are also welcome.
- Forsentek will evaluate the feasibility upon the given parameters and propose modifications accordingly to make it work.