

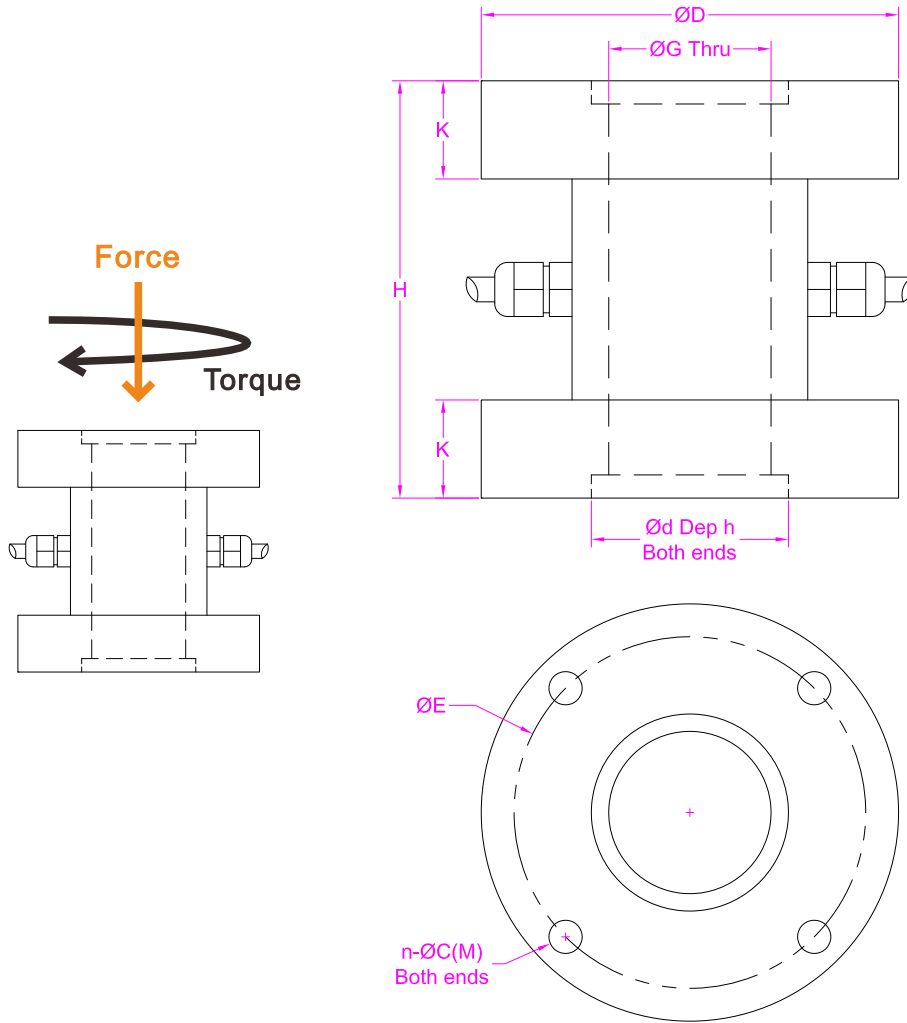
--- Specifications ---

P-1/2

	Torque	Force
Capacity	20NM	3kN
Rated Output	1.5 mV/V	1.0 mV/V
Excitation	3~15V	
Zero Balance	$\pm 3\%$ of R.O.	
Nonlinearity	$\pm 0.3\%$ of R.O.	$\pm 0.3\%$ of R.O.
Hysteresis	$\pm 0.3\%$ of R.O.	$\pm 0.3\%$ of R.O.
Nonrepeatability	$\pm 0.2\%$ of R.O.	$\pm 0.2\%$ of R.O.
Creep(10min)	$\pm 0.1\%$ of R.O.	
Safe Overload	120% of F.S.	
Ultimate Overload	150% of F.S.	
Working Temperature	-10...+60°C	
Temp. Shift Zero	$\pm 0.03\%$ of R.O./°C	
Temp. Shift Span	$\pm 0.01\%$ of R.O./°C	
Input Resistance	700 \pm 100 Ω	380 \pm 30 Ω
Output Resistance	700 \pm 20 Ω	350 \pm 5 Ω
Insulation Resistance	>2000M Ω (50V)	
Material	Aluminum alloy	
Ingress Protection	IP50	
Cable	$\varnothing 3.3 \times 3000$ mm 4-core shielded cable	

• Subject to change without notice

Custom Force Torque Sensor



P-2/2

Torque(NM)		Force(N)	
H		K	
D		E	
n		C(M)	
d		h	
G		/	/
Other requirements			

- For dimensions that don't matter, please fill in "/" or acceptable range like "25~40mm".
- Drawings provided by clients are also welcome.
- Forsentek will evaluate the feasibility upon the given parameters and propose modifications accordingly to make it work.