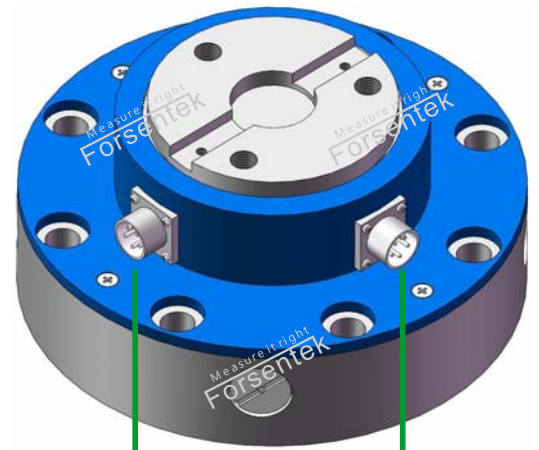
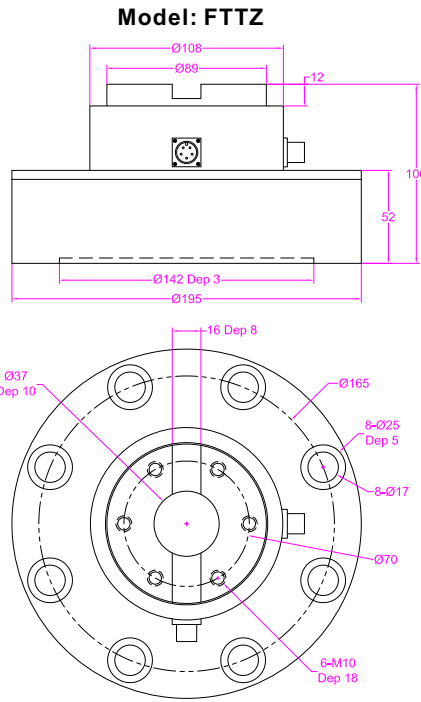
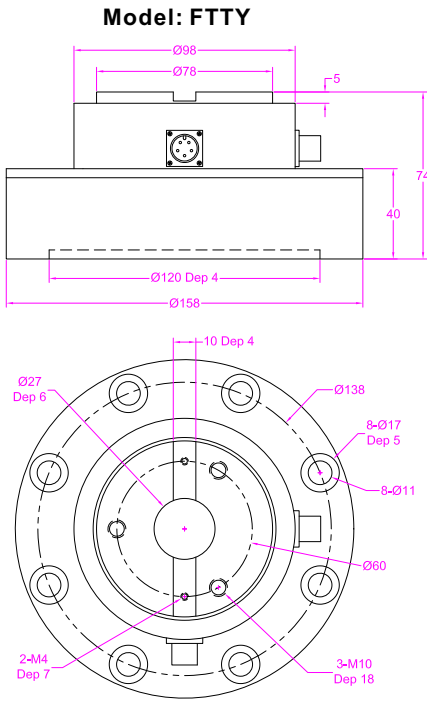


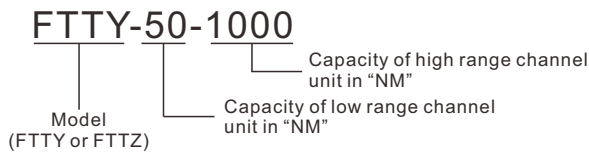
Dimensions in "mm"



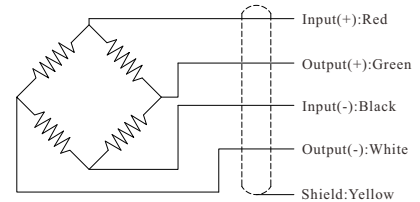
High range channel

Low range channel

Ordering code



Wiring Diagram



--- Specifications ---

Dual range torque sensor		Low range channel	High range channel
Capacity	Model FTTY	20/30/50NM	200/300/500/700/1000/1200/1500 NM
	Model FTTZ	100/120/150NM	1k/1.2k/1.5k/2k/2.5k/3k/3.5k/4k NM
Rated Output			1.0 mV/V
Excitation			3~15V
Zero Balance			<0.03mV/V
Nonlinearity			<0.2% of R.O.
Hysteresis			<0.2% of R.O.
Nonrepeatability			<0.05% of R.O.
Creep(5min)			<0.05% of R.O.
Safe Overload	Mechanical protection applied	150% of F.S.	
Ultimate Overload		200% of F.S.	
Working Temperature			-10...+60°C
Temp. Shift Zero			±0.01% of R.O./°C
Temp. Shift Span			±0.01% of R.O./°C
Input Resistance			700±50Ω
Output Resistance			700±10Ω
Insulation Resistance			>2000MΩ(50V)
Material			Stainless steel(Aluminum for cover)
Ingress Protection			IP50
Cable			Ø5*3000mm 4-core shielded cable with mating connector

• Subject to change without notice