

Capacity(NM)	Rotating speed	L	H	W	A	B	C	L1	D	E*F* No. of keyway	H1	H2	J	K	h1	a	b	M	h
2/3/5/10/20/30/50/100	0~12000RPM	175	85	70	22	25.5	30	2	18	11.5*6*2	35	70	111	36	1.5	22	80	M5	9
200/300/500	0~10000RPM	198	100	85	30	33	35	7	28	17*8*2	42.5	85	114	50	1.5	36	84	M5	11
1k/1.5k/2k	0-6000RPM	288	135	125	60	65	70	7	45	26*14*4	62.5	125	134	70	1.5	50	94	M8	10
3k/5k	0-4000RPM	355	170	160	93	97	100	7	75	42*20*4	80	160	141	100	2.5	80	100	M10	18

--- Specifications / 规格参数 ---

Capacity/量程	0-5000Nm
Excitation/激励电压	<b>Refer to ordering code</b>
Rated Output/额定输出	
Sampling Rate/推荐采样频率	<200Hz
Nonlinearity/非线性	±0.2% of F.S.
Hysteresis/滞后	±0.2% of F.S.
Nonrepeatability/非重复性	±0.2% of F.S.
Creep/蠕变(10min)	±0.1% of F.S.
Safe Overload/安全过载	150% of F.S.
Ultimate Overload/极限过载	200% of F.S.
Working Temperature/工作温度	-10...+60°C
Ingress Protection/防护等级	IP40
Material of Element/弹性体材质	Stainless steel/不锈钢
Material of Housing/外壳材质	Aluminum alloy/铝合金
Cable/导线	Ø6*3000mm with mating connector Ø6*3000mm 屏蔽线

Ordering code of the sensor

**Torque Measurement Only**

Code	Excitation	Torque output
A	24V DC	-5-5V
B		-10-10V
C		4-12-20mA
D	12V DC	-5-5V
E		4-12-20mA
F		-3.3-3.3V
G		0-1.65-3.3V
H	24V DC	0-2.5-5V
I		-3.3-3.3V
J		0-1.65-3.3V
K		0-2.5-5V
L		0-5-10V
Consult us for other configurations		

Ordering code

FYTG-50-A

Torque range (NM)

**Torque & Speed Measurement**

Code	Excitation	Torque output	Speed output
A	24V DC	-5-5V	0-5V
B		-10-10V	0-10V
C		4-12-20mA	4-20mA
D	12V DC	-5-5V	0-5V
E		4-12-20mA	4-20mA
F		-3.3-3.3V	0-3.3V
G		0-1.65-3.3V	0-3.3V
H	24V DC	0-2.5-5V	0-5V
I		-3.3-3.3V	0-3.3V
J		0-1.65-3.3V	0-3.3V
K		0-2.5-5V	0-5V
L		0-5-10V	0-10V
Consult us for other configurations			

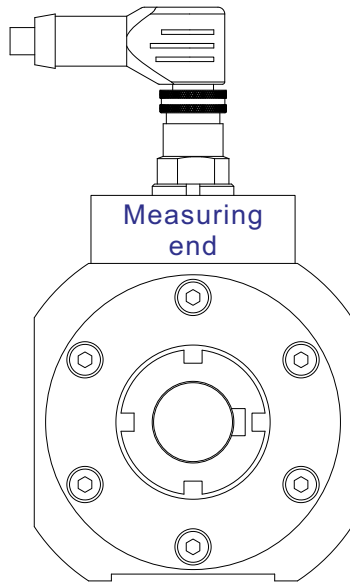
Ordering code

FYTG-50-5000-A

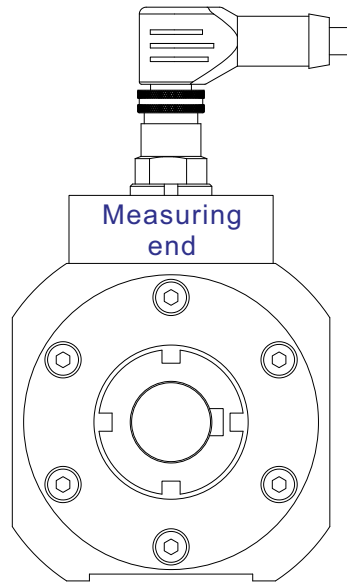
Torque range (NM)  
Rotating speed (RPM)

Ordering code of the cable

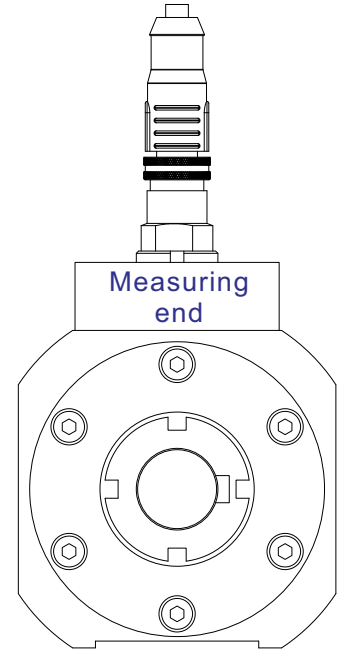
FYTG-8P-3M-L



FYTG-8P-3M-R



FYTG-8P-3M



FYTG-8P-3M-L  
FYTG-8P-3M-R

FYTG-8P-3M

