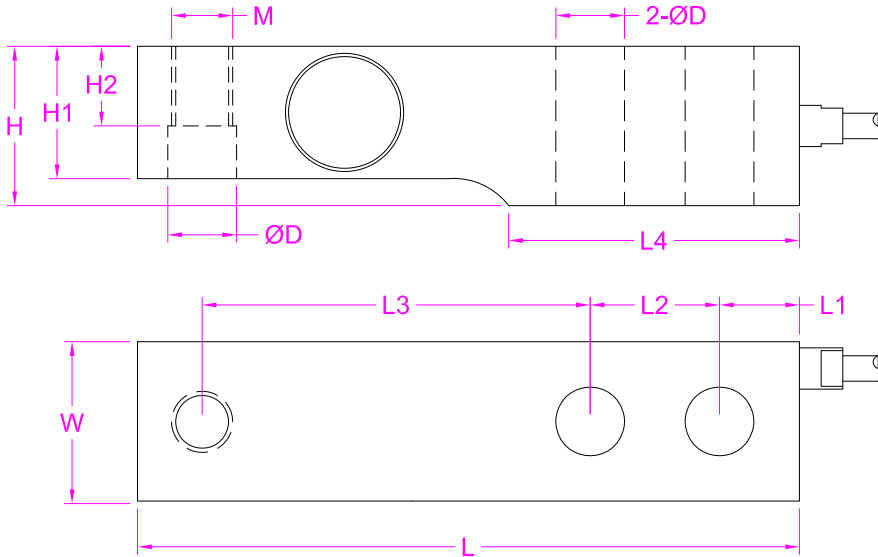


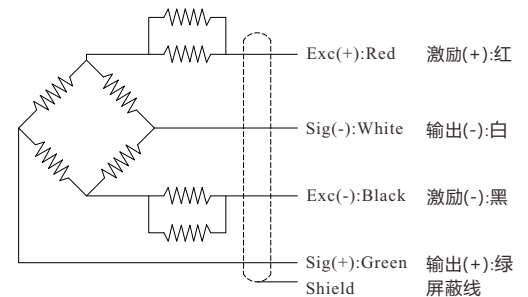


Capacity	L	W	H	L1	L2	L3	L4	H1	H2	D	M
0.5t	130	31.3	31.3	15.7	25.4	76.2	57.1	24.8	15.6	13.5	M12*1.75
1t								26			
1.5t/2t								29.2			
2.5t/3t/5t	171.5	36.8	36.8	19.1	38.1	95.2	76.2	34.8	18.4	20.5	M20*2.5
7.5t/10t	222.2	49.5	49.5	25.4	50.8	120.7	101.6	47.5	24.7	26.9	M24*2



**Ordering code**  
**FHSE - 2t**  
Model Capacity

**Wiring Diagram/接线图**

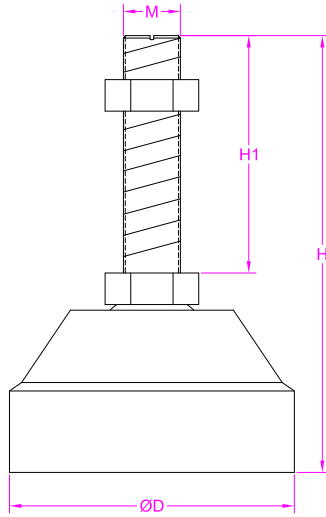


--- Specifications / 规格参数 ---

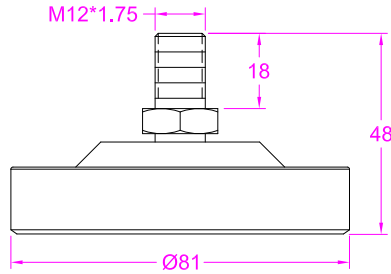
Rated Output 额定输出	2.0±0.005 mV/V	Compensated Temp. 温度补偿范围	-10...+40°C
Excitation 激励电压	3~15V	Operating Temp. 工作温度范围	-35...+70°C
Zero Balance 零点输出	±0.03mV/V	Temp. Shift Zero 零点温度漂移	±0.016% of R.O./10°C
Nonlinearity 非线性	±0.018% of R.O.	Temp. Shift Span 灵敏度温度漂移	±0.012% of R.O./10°C
Hysteresis 滞后	±0.018% of R.O.	Input Resistance 输入阻抗	350±5Ω
Nonrepeatability 非重复性	±0.018% of R.O.	Output Resistance 输出阻抗	350±5Ω
Creep(30min) 蠕变	±0.018% of R.O.	Insulation Resistance 绝缘阻抗	>5000MΩ(50V)
Safe Overload 安全过载	150% of F.S.	Ingress Protection 防护等级	IP68
Ultimate Overload 极限过载	250% of F.S.	Material of Element 弹性体材料	Stainless steel 不锈钢
Cable 导线	Ø5*6000mm 4-core shielded cable Ø5*6000mm 4芯屏蔽线		
R.O.=Rated Output/额定输出 F.S.=Full Scale/满量程			

• Subject to change without notice / 如有更改,不另行通知

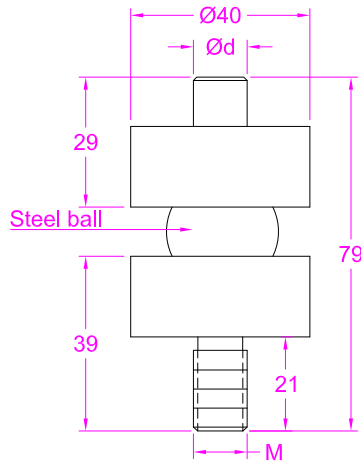
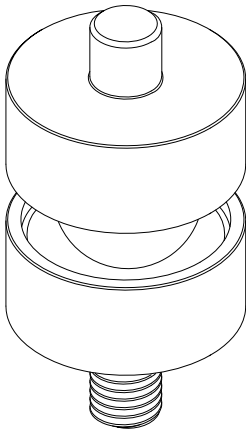
# Load cell accessories



Ordering code	D	H	H1	M
SE-A	60	92	50	M12*1.75
SE-B	80	105	50	M20*2.5
Material: Stainless steel and rubber				



Ordering code: SE-C  
 (Material: Stainless steel and rubber)



Ordering code	d	M
SE-D	12	M12*1.75
SE-E	20	M20*2.5
Material: Stainless steel		

