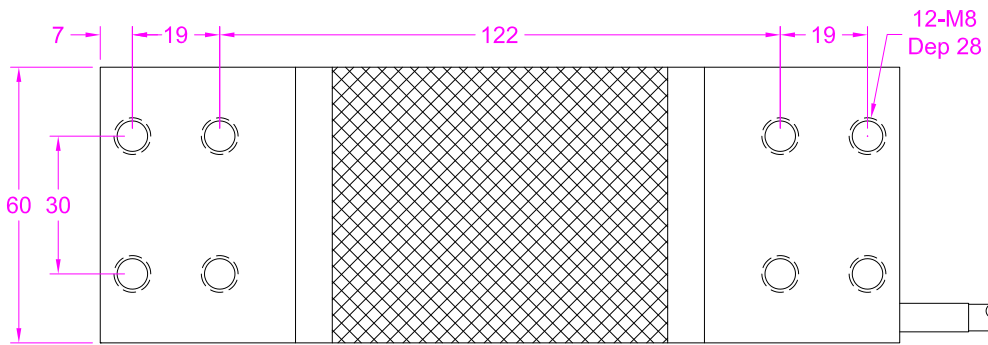
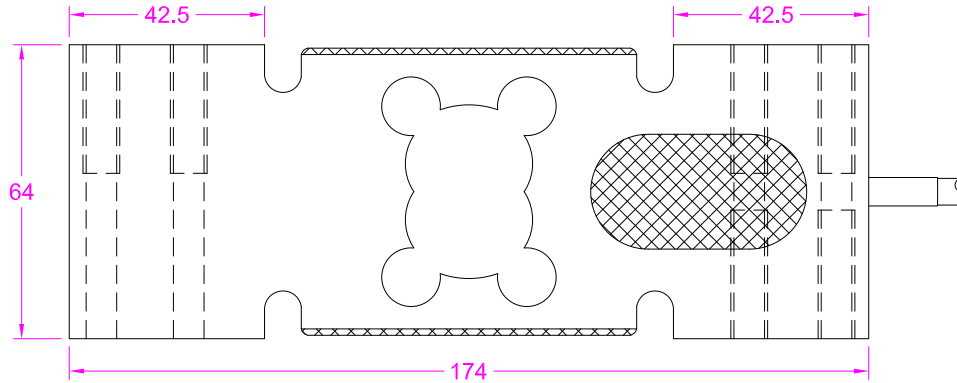
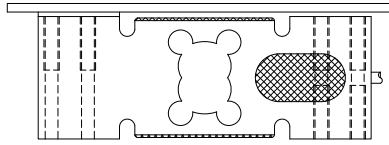


Load direction/加载方向
(Platform sizes up to 800x800mm)



Ordering code
FDNT - 500kg
Model Capacity

Wiring code	
Red	Power+
Black	Power-
Green	RS485 A
White	RS485 B

--- Specifications / 规格参数 ---

Capacity/量程	100/200/300/500kg		
Output 输出	RS485 (Contact us for protocol)	Safe Overload 安全过载	150% of F.S.
Excitation 激励电压	5~12V DC	Operating Temp. 工作温度范围	-20...+60°C
Nonlinearity 非线性	±0.02% of R.O.	Temp. Shift Zero 零点温度漂移	±0.02% of R.O./10°C
Hysteresis 滞后	±0.02% of R.O.	Temp. Shift Span 灵敏度温度漂移	±0.02% of R.O./10°C
Nonrepeatability 非重复性	±0.01% of R.O.	Material of Element 弹性体材料	Aluminum alloy 铝合金
Creep(30min) 蠕变(30min)	±0.02% of R.O.	Ingress Protection 防护等级	IP65
Cable 导线	Ø5*2000mm 4-core shielded cable(Longer cable available) Ø5*2000mm 4芯屏蔽线		
R.O.=Rated Output/额定输出 F.S.=Full Scale/满量程			

• Subject to change without notice / 如有更改,不另行通知