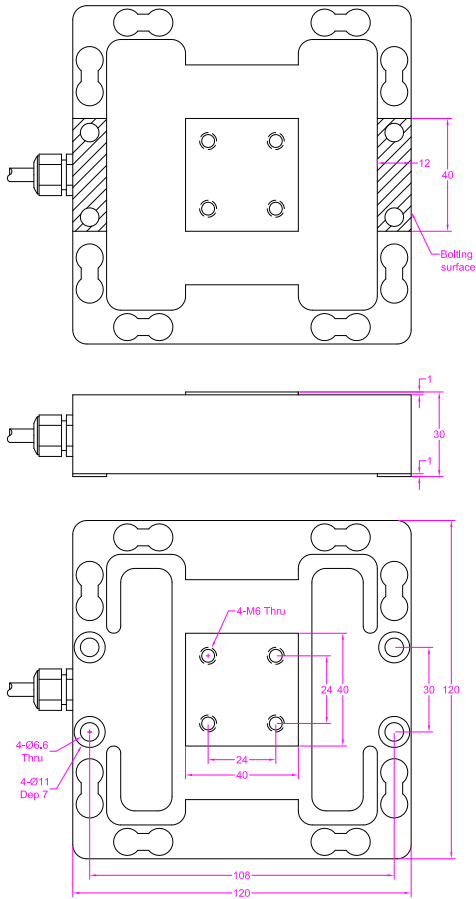
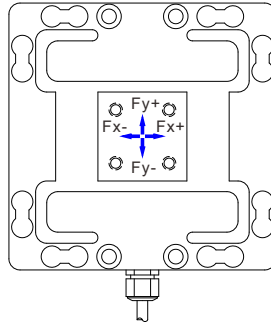


Dimensions in "mm"

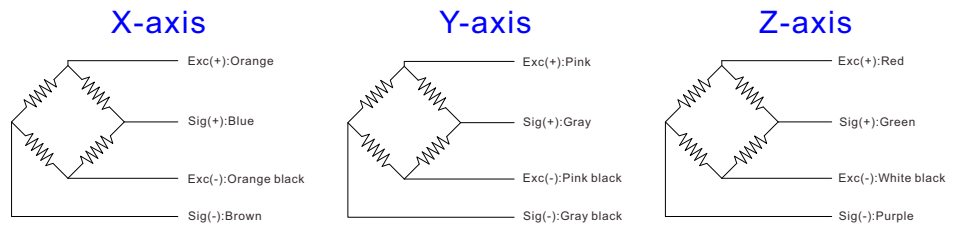


Force direction



P-1/2

Wiring Diagram/接线图



--- Specifications / 规格参数 ---

Capacity/量程	Fx/Fy/Fz--200/300/500/1k/2k/3k/5k N		
Rated Output 额定输出	1.0 mV/V	Crosstalk 串扰	<3% of F.S.
Excitation 激励电压	3~15V	Operating Temp. 工作温度范围	-10...+60°C
Zero Balance 零点输出	±0.05mV/V	Temp. Shift Zero 零点温度漂移	±0.03% of R.O./°C
Nonlinearity 非线性	±0.3% of R.O.	Temp. Shift Span 灵敏度温度漂移	±0.02% of R.O./°C
Hysteresis 滞后	±0.3% of R.O.	Input Resistance 输入阻抗	700±100Ω
Nonrepeatability 非重复性	±0.1% of R.O.	Output Resistance 输出阻抗	700±100Ω
Creep(5min) 蠕变(5min)	±0.05% of R.O.	Insulation Resistance 绝缘阻抗	>2000MΩ(50V)
Safe Overload 安全过载	150% of F.S.	Ingress Protection 防护等级	IP62
Ultimate Overload 极限过载	200% of F.S.	Material of Element 弹性体材料	Refer to ordering code
Cable 导线	Ø6*3000mm 12-pin shielded cable(Longer cable available) Ø6*3000mm 12芯屏蔽线		
R.O.=Rated Output/额定输出 F.S.=Full Scale/满量程			

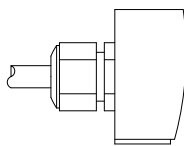
• Subject to change without notice / 如有更改,不另行通知

Ordering code	Capacity		Material
	Fx=Fy	Fz	
F3F-200N	200N	200N	Aluminum alloy
F3F-200-200-300		300N	
F3F-300N	300N	300N	
F3F-300-300-500		500N	
F3F-500N	500N	500N	
F3F-500-500-1k		1kN	
F3F-1kN	1kN	1kN	
F3F-1k-1k-2k		2kN	
F3F-2kN	2kN	2kN	Stainless steel
F3F-2k-2k-3k		3kN	
F3F-3kN	3kN	3kN	
F3F-3k-3k-5k		5kN	
F3F-5kN	5kN	5kN	

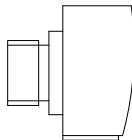
P-2/2

■ Consult us for other capacities

Cable outlet



Standard(With direct cable outlet)



Optional(Disconnectable cable with mating connector)